

# DSL-105M

## DSL Proximity Head Control Mini

### Clinical Indication

Non-contact non-proportional control provides dependable control for users with high or low muscle tone. The DSL-105 Mini is suitable for pediatric users or for those who want a minimally sized head control.

### Features

- CE labeled
- Non contact sensors provide more natural “where you look is where you go” control
- Side wings adjust in and out to fine tune positioning to users head
- Mounting hardware adjustable in multiple directions to allow head control to be positioned accurately for users with kyphosis or scoliosis
- Sensors easily disconnect to allow for first time mobility users to experience the control one function at a time, or for sensors to be allocated to different control directions.
- 3 or 4 Quadrant setups possible
- Used exclusively with the DX-REMG91 and DX-ACC4B
- Each DSL-105M Head Control includes:
 

1 x DSL-606	Mounting hardware
1 x GSM63160	Interface cable

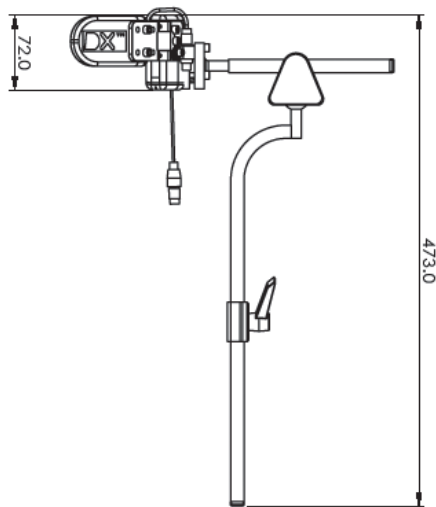
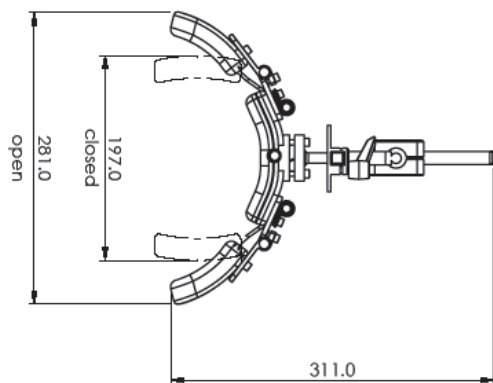


### Bundled Peripherals

Every DSL-105M also comes supplied with:

- 1 x DSL-300 Egg Switch (for mode change and/or reverse)
- 1 x SWTA5710A Labeled On/Off switch
- 1 x DX-ACC4B Interface electronics

## DSL-105M Technical Specs



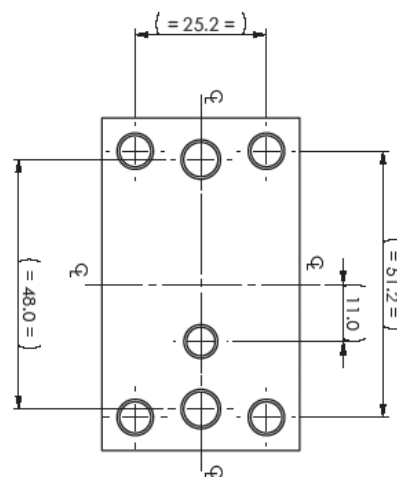
Drawing Units: Millimetres

Weight: 1.25Kg (including mounting hardware)

Vinyl: Morbern Hampton Black

Cap screws: 5/32" caps all DSL-105M components  
3/16" on DSL-606 Mounting Hardware

Mounting Pitch of DSL-606  
(Head Control Mounting Bracket)



Note: The DSL-105 products are available only through Certified DSL105 Prescribers. To become a certified prescriber, or a qualified installer, contact Dynamic Europe Ltd for information on their training and certification courses.

### Dynamic Europe Ltd

Unit 7, Finepoint Way, Kidderminster  
Worcestershire, DY11 7FB  
United Kingdom  
Phone: +44-1562-826-600  
Fax: +44-1562-824-694

Product Information: [euinfo@dynamiccontrols.com](mailto:euinfo@dynamiccontrols.com)  
Product Sales: [eusales@dynamiccontrols.com](mailto:eusales@dynamiccontrols.com)  
Customer Support: [eusupport@dynamiccontrols.com](mailto:eusupport@dynamiccontrols.com)  
Service & Repairs: [euservice@dynamiccontrols.com](mailto:euservice@dynamiccontrols.com)

ISO 13485 certified – Dynamic Controls Ltd goes above and beyond industry standard expectations to ensure customers receive the best products possible.

Actual products may vary from those featured due to DYNAMIC's policy of continuous improvement.



[www.dynamiccontrols.com](http://www.dynamiccontrols.com)